

PICK AND PLACE CAP POSITION

NOTES:

1. MATERIAL:

- 1-1 HOUSING: VECTRA E130i GF30% ,UL94V-0,COLOR IS BLACK
- 1-2 POWER CONTACT: HIGH PERFORMANCE COPPER ALLOY C19210
- 1-3 SIGNAL CONTACT: COPPER ALLOY C5210

PLATING : 50u" MIN NICKEL UNDERPLATING OVER ALL

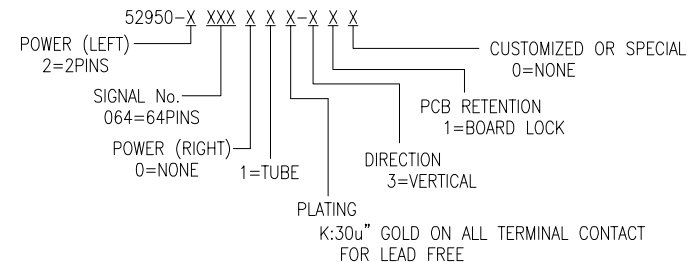
2. REFLOW SOLDER CAPABLE TO 260°C

PER ACES SPEC.

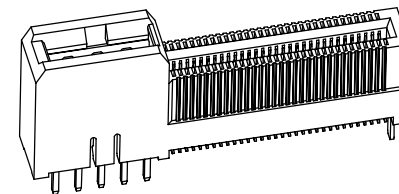
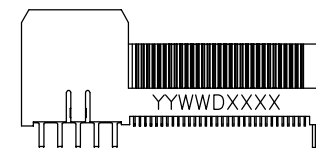
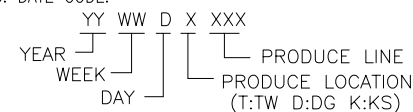
3. SPEC. PLS. REFER TO PS-52950-XXXXXX-XXX

4. PACKAGE PLS. REFER TO 52950-XXXXXX-XXX-PCK

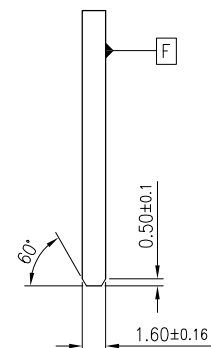
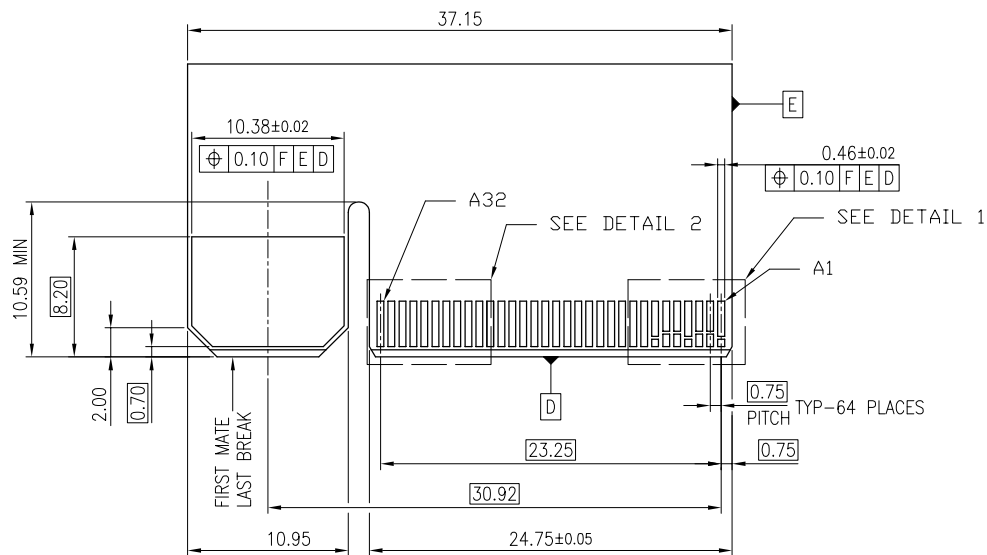
5. PART NUMBER



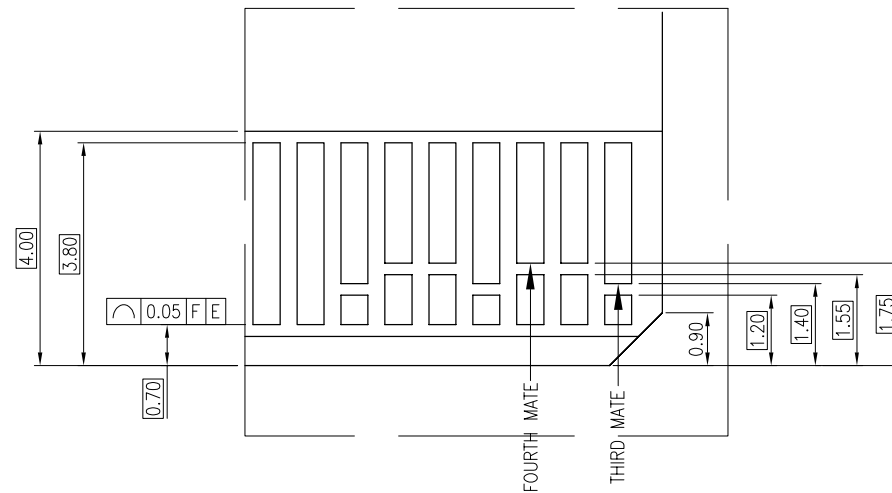
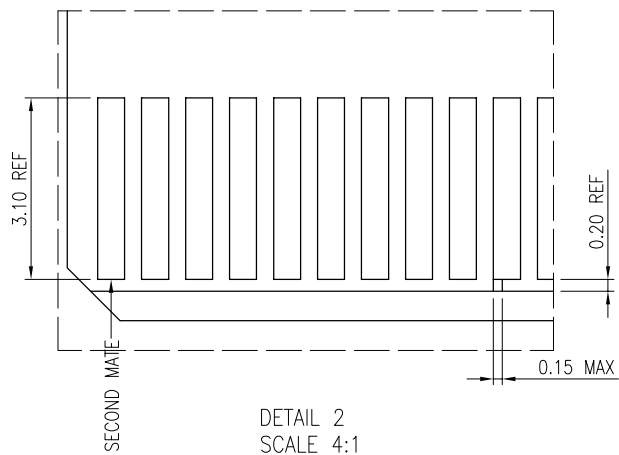
6. DATE CODE:



一般公差 <b>TOLERANCES</b> X ±0.5 .XX ±0.15 X ±0.25 .XXX ±0.1 ANGLES ±2°		<b>宏致電子股份有限公司</b> <b>Aces Electronics Co.,Ltd.</b>	
檢驗尺寸標示 SYMBOLS ⊕ ⊗ INDICATE CLASSIFICATION DIMENSION ⊕ MARK IS CRITICAL DIM. ⊗ MARK IS MAJOR DIM.		品名 (TITLE) <b>SAS + POWER CONN. S/T TYPE</b>	製圖 (DR) 17/1/13 JASON 審核 (CHKD) RYAN
		圖號 (DWG NO.) <b>52950-XXXXXX-XXX</b>	核准 (APPD) HISATOMI
表面處理 (FINISH)	比例 (SCALE) 2:1	單位 (UNITS) mm	張數 (SHEET) 1 OF 3 SIZE A4 REV F



OVER CONTACT PADS



DETAIL 1  
SCALE 4:1

RECOMMENDED TIE BAR SIZE

一般公差 <b>TOLERANCES</b> X ±0.5 XX ±0.15 X ±0.25 XXX ±0.1 ANGLES ±2°		<b>宏致電子股份有限公司</b> <b>Aces Electronics Co.,Ltd.</b>	
檢驗尺寸標示 SYMBOLS ⊕ INDICATE CLASSIFICATION DIMENSION ⊕ MARK IS CRITICAL DIM. ⊕ MARK IS MAJOR DIM.		品名 (TITLE) SAS + POWER CONN. S/T TYPE	製圖 (DR) 17/1/13 JASON 審核 (CHKD) RYAN
		圖號 (DWG.NO) 52950-XXXXXXX-XXX	核准 (APPD) HISATOMI
表面處理 (FINISH)	比例 (SCALE) 2:1	單位 (UNITS) mm	張數 (SHEET) 2 OF 3 SIZE A4 REV F

A B C D E F

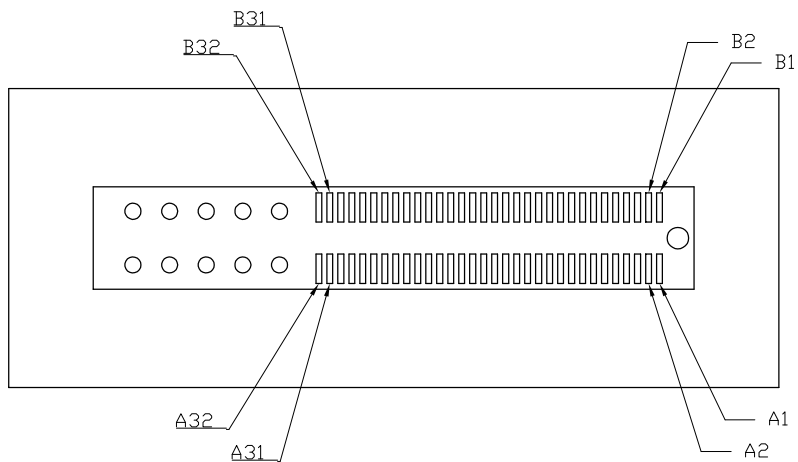
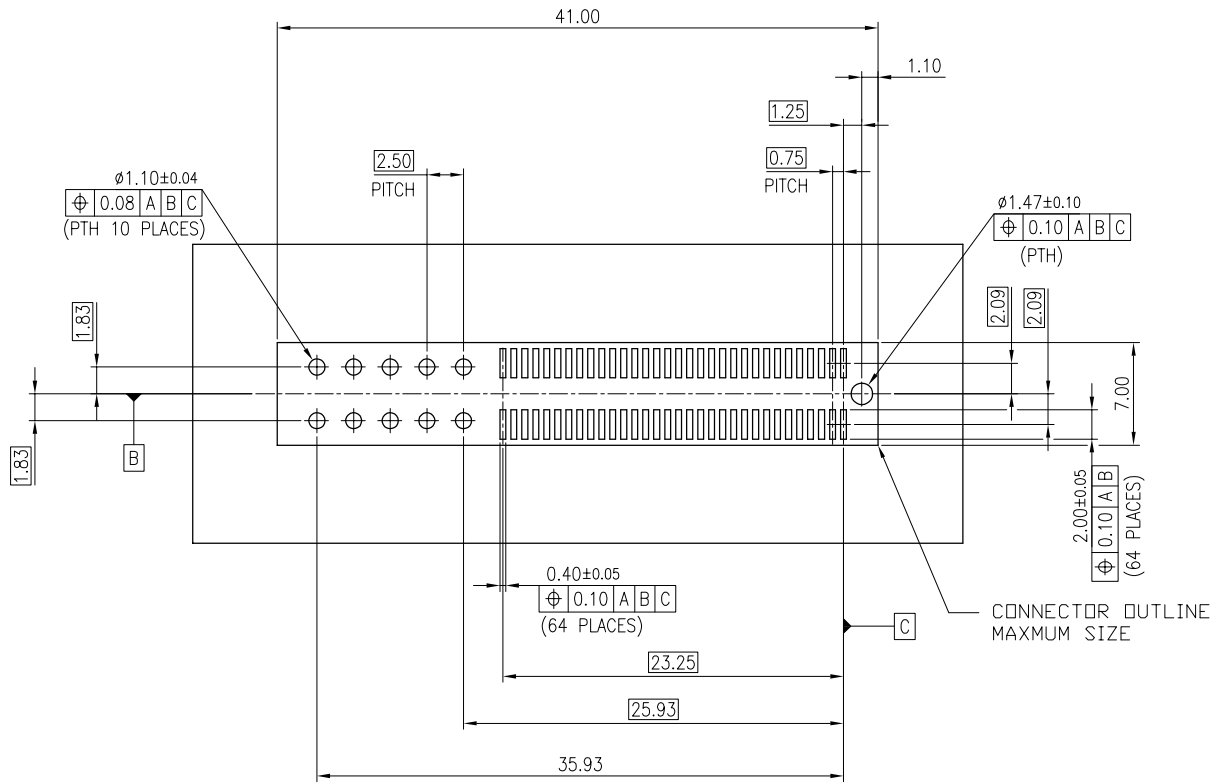
1

2

3

4

5



RECOMMENDED PCB LAYOUT

A B C D E F

一般公差 <b>TOLERANCES</b> X ±0.5 XX ±0.15 X ±0.25 .XXX ±0.1 ANGLES ±2°		<b>宏致電子股份有限公司</b> <b>Aces Electronics Co.,Ltd.</b>	
檢驗尺寸標示 <b>SYMBOLS</b> INDICATE <b>CLASSIFICATION DIMENSION</b>		品名 (TITLE) SAS + POWER CONN. S/T TYPE	製圖 (DR) 17/1/13 JASON 審核 (CHKD) RYAN
MARK IS CRITICAL DIM. MARK IS MAJOR DIM.		圖號 (DWG.NO) 52950-XXXXXXX-XXX	核准 (APPD) HISATOMI
表面處理 (FINISH)	比例 (SCALE) 2:1	單位 (UNITS) mm	 張數 (SHEET) 3 OF 3 SIZE A4 REV F